

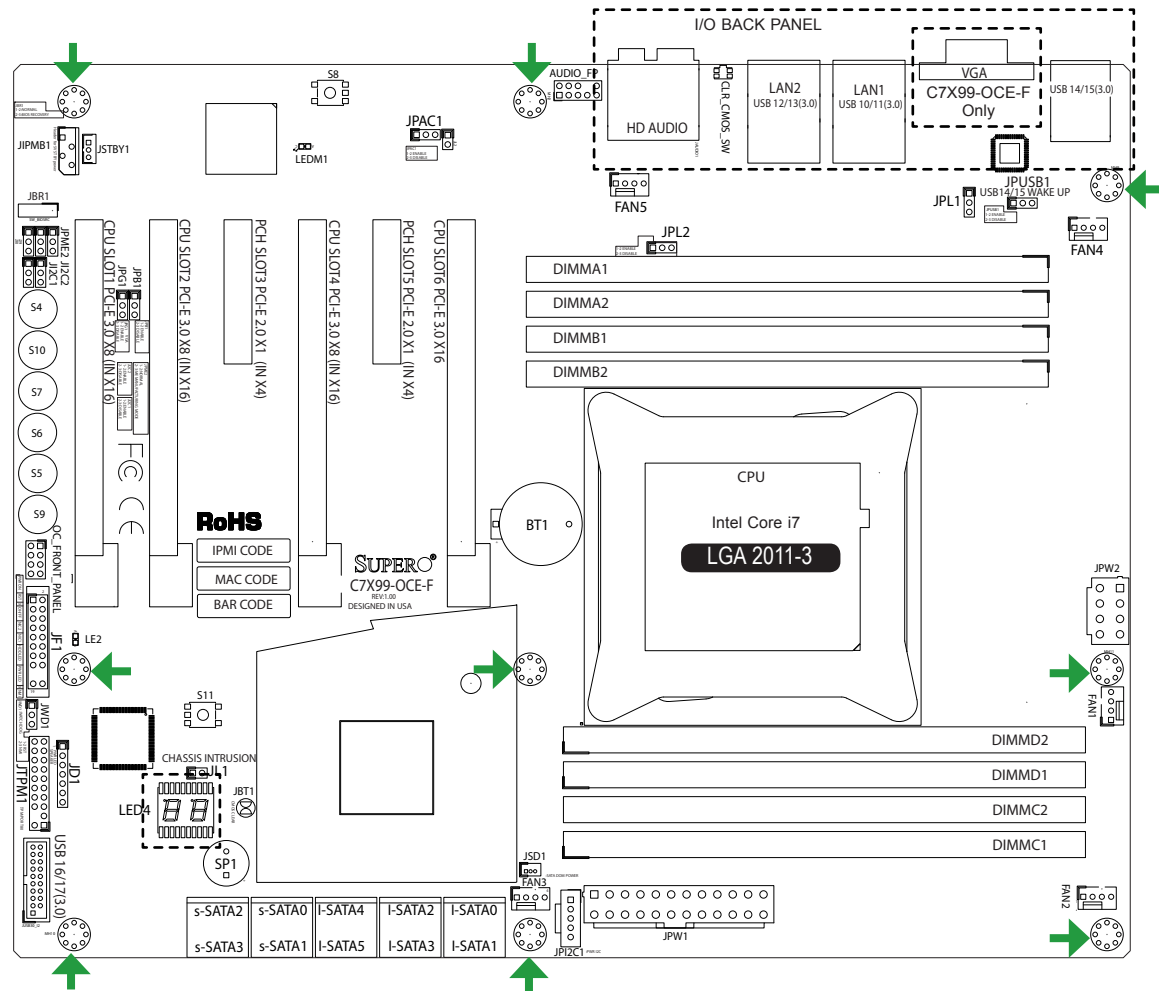
**CONTACT INFORMATION**

- www.supermicro.com (Email: support@supermicro.com)
- Manuals: <http://www.supermicro.com/support/manuals>
- Drivers & Utilities: <ftp://ftp.supermicro.com>
- Safety: [http://www.supermicro.com/about/policies/safety\\_information.cfm](http://www.supermicro.com/about/policies/safety_information.cfm)

**PACKAGE CONTENTS** (Applies to individual-pack only)

- One (1) Supermicro Motherboard
- Six (6) SATA Cables (single packed/boxed only)
- Two (2) SATA Cables (bulk packed only)
- One (1) I/O Shield
- One (1) Quick Reference Guide
- One (1) Driver CD (C7X99-OCE single packed/boxed only)

**Motherboard Layout and Features**



**Note for VGA Cards:** For a single VGA card, install the VGA card into the SLOT6 (x16) slot. For CrossFireX™ mode (two VGA cards linked), install one card each into SLOT6 (x16) and SLOT4 (x16) slots.  
**Note for Intel CPUs:** PCIe Slot#1 (x4) and Slot#4 (x16) are disabled when an Intel Core i7-5820K is installed. This is due to the CPU having a limitation of 28 PCIe lanes, compared to 40 with other CPU models.



**Jumpers, Connectors and LED Indicators**

Jumpers		
Jumper	Description	Default
JBT1*	Clear CMOS (on board)	(See Chpt. 2)
JPC1/JPC2	SMB to PCI Slots	Off (Disabled)
JPAC1	Audio Enable	Pins 1-2 (Enabled)
JPL1/JPL2	LAN1/LAN2 Enable	Pins 1-2 (Enabled)
JPME2	Intel Recovery Mode	Pins 1-2 (Normal)
JWD1	Watch Dog Enable	Pins 2-3 (NMI)
JBR1	Restores the BIOS firmware from a USB memory device (SUPER.ROM)	Pins 1-2 (Normal), set switch to pins 2-3 to recover BIOS
JUSB1	USB Wake Up Enable (USB14/15)	Pins 1-2 (Enabled)
JPB1	BMC Enable/Disable (C7X99-OCE-F only)	Pins 1-2 (Enabled)
JPG1	Onboard VGA Enable (C7X99-OCE-F only)	Pins 1-2 (Enabled)

Connectors and Switches	
Connector	Description
I/O Back Panel	See Back Panel I/O Connectors, below right
Audio FP	Front Panel Audio Header
BT1	Onboard Battery
Fan 1,2,3,4,5	System/CPU Fan Headers (Fan1: CPU Fan)
JD1	Speaker/buzzer (Pins 1~4: External Speaker, Pins 3~4: Buzzer)
JF1	Front Panel Control Header
JL1	Chassis Intrusion Header
JPW1	24-pin ATX Main Power Connector (Required)
JPW2	+12V 4-pin CPU power Connector (Required)
JSD1	SATA DOM (Disk On Module) Power Connector
JSTBY1	Standby Power Header
SP1	Internal Speaker/Buzzer
I-SATA0-5	(Intel X99) SATA 3.0 Ports 0~5 (6Gb/sec), Supports RAID 0, 1, 5 & 10
s-SATA0-3	(Intel X99) SATA 3.0 Ports 0~3 (6Gb/sec), no RAID functions
USB 16/17	Front Panel Accessible USB 3.0 Headers 16/17
OC FRONT PANEL	Header for the Over-Clocking Control Panel
S4	Power Button
S11	BIOS Restore
S5, S6, S7	Over-Clocking Buttons OC1(15%), OC2(20-25%), OC3 (User-Defined in BIOS)
S9	Home Button, Default setting (non-OC)
S10	Memory Overclocking Button
S8	Clear CMOS Button (on board)
JPI2C1	Power Supply SMBbus I2C Header.
JTPM1	Trusted Platform Module Header
COM1	Serial Port Header for COM1
JIPMB1	System Management Bus header (for IPMI only)

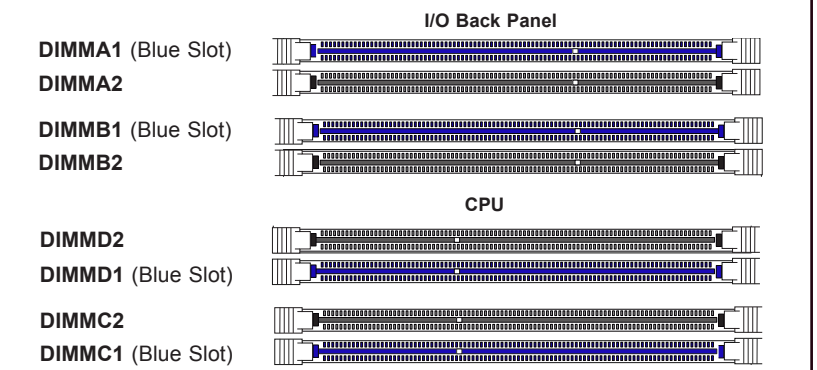
LED Indicators			
LED	Description	Color/State	Status
LEDM1	BMC Heartbeat*	Green: Blinking	BMC Normal
LE2	Power LED	Green: Steady	System On/Running
LED4	Status Display (C7X99-OCE only)	Digital Readout	Download the status codes below**

\* For the C7X99-OCE-F, reboot time may be longer after clearing CMOS. This is due to the additional IPMI functions.  
 \*\* Download the AMI status codes at [http://www.ami.com/support/doc/ami\\_aptio\\_4\\_x\\_status\\_codes\\_pub.pdf](http://www.ami.com/support/doc/ami_aptio_4_x_status_codes_pub.pdf)  
**Note:** Refer to Chapter 2 of the User Manual for detailed information on jumpers, connectors, and LED indicators.

**Memory Support**

The C7X99-OCE(-F) supports up to 64GB of Unbuffered (UDIMM) DDR4 non-ECC 2133~3000(OC) MHz in 8 memory slots. Populating these DIMM modules with a pair of memory modules of the same type and same size will result in interleaved memory, which will improve memory performance.  
**Note:** For memory optimization, use only DIMM modules that have been validated by Supermicro. For the latest memory updates, please refer to our website at <http://www.supermicro.com/products/motherboard>.

**DIMM Memory Installation**



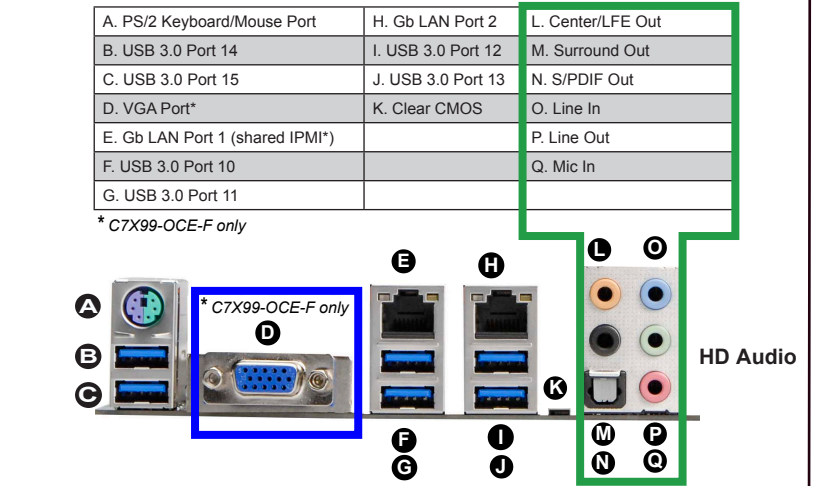
**Memory Population Guidelines**  
 When installing memory modules, the DIMM slots should be populated in the following order: DIMMA1, DIMMB1, DIMMC1, DIMMD1 then DIMMA2, DIMMB2, DIMMC2, DIMMD2.

- Always use DDR4 DIMM modules of the same size, type and speed.

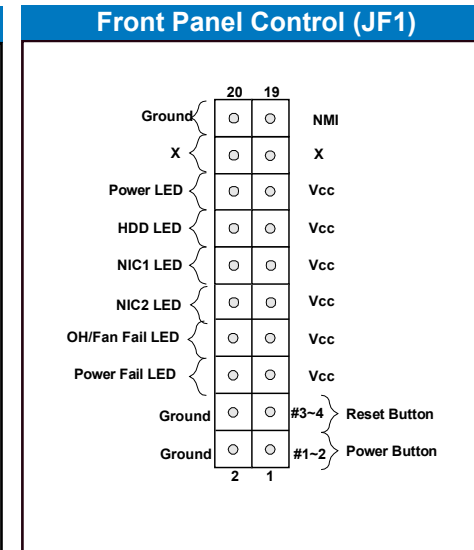
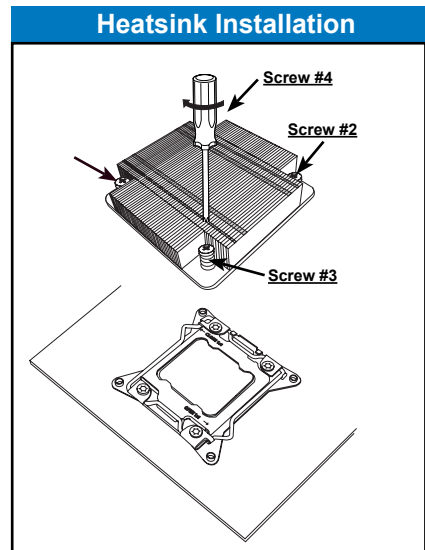
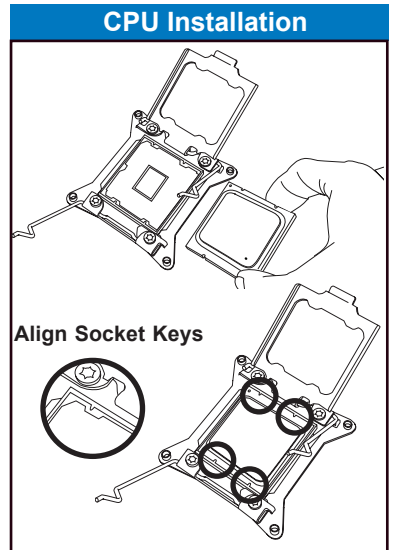
Recommended Population (Balanced)								
DIMMA1	DIMMB1	DIMMC1	DIMMD1	DIMMA2	DIMMB2	DIMMC2	DIMMD2	Total System Memory
4GB	4GB							8GB
4GB	4GB	4GB	4GB					16GB
4GB	4GB	4GB	4GB	4GB	4GB			24GB
4GB	4GB	4GB	4GB	4GB	4GB	4GB	4GB	32GB

**Note:** Up to 64GB of memory are supported. See chapter 2 of the User Manual for complete memory population information.

**Back Panel I/O Connectors**



**Note:** Refer to Chapter 2 of the User Manual for detailed information on memory support and CPU/motherboard installation instructions.



**Note:** Graphics shown in this quick reference guide are for illustration only. Your components may or may not look exactly the same as drawings shown in this guide.