

CONTACT INFORMATION

- Website: www.supermicro.com
- General Information: marketing@supermicro.com
- Technical Support: support@supermicro.com
- Phone: +1 (408) 503-8000, Fax: +1 (408) 503-8008

FOR YOUR SYSTEM TO WORK PROPERLY, PLEASE DOWNLOAD APPROPRIATE DRIVERS/IMAGES/USER'S MANUAL FROM THE LINKS BELOW:

- Manuals: <http://www.supermicro.com/support/manuals>
- Drivers & Utilities: <https://www.supermicro.com/wdl/driver/>
- Safety: http://www.supermicro.com/about/policies/safety_information.cfm

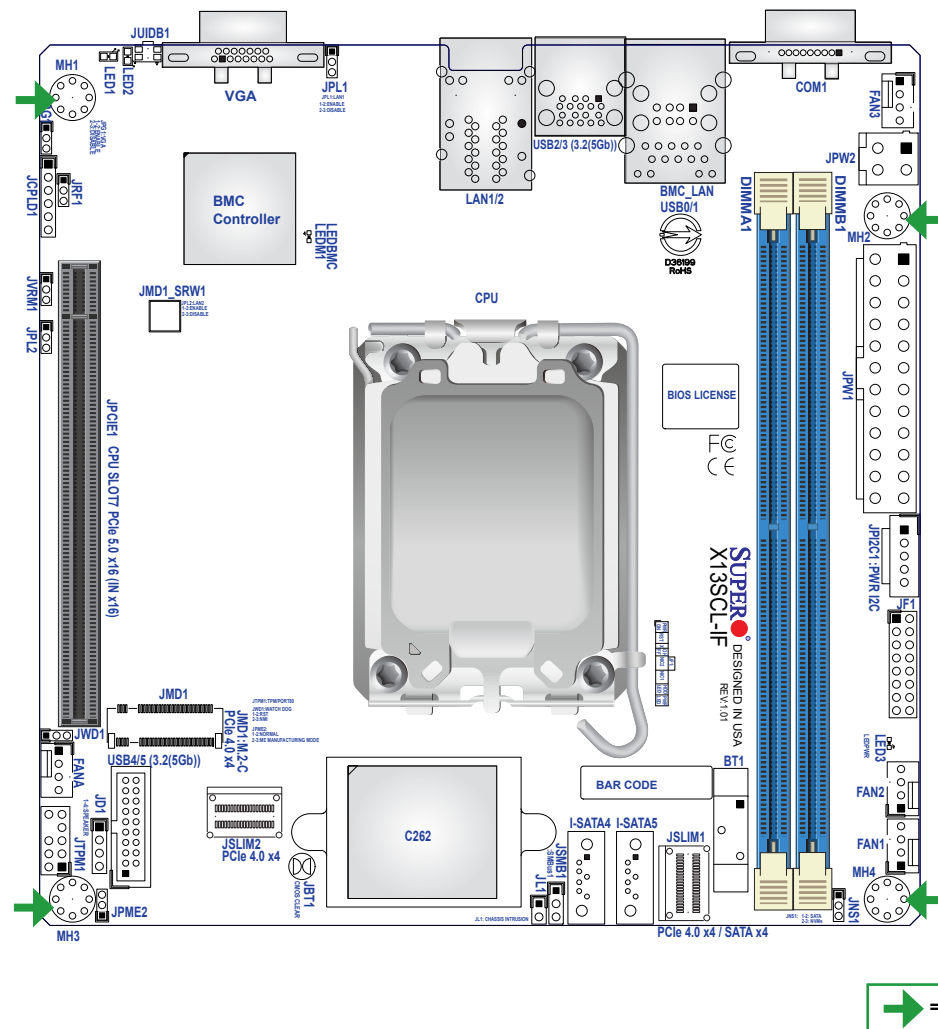
PACKAGE CONTENTS

- One Supermicro Motherboard
- One Quick Reference Guide
- One I/O Shield
- Two SATA Cables



WARNING: This product can expose you to chemicals including lead, known to the State of California to cause cancer and birth defects or other reproductive harm. For more information, go to www.P65Warnings.ca.gov.

Motherboard Layout and Features



Jumpers and Connectors

Jumpers		
Jumper	Description	Default Setting
JBT1	CMOS Clear	Open (Normal)
JNS1	SATA 3.0 or PCIe 4.0 Selection	Pins 1-2 (4x SATA) Pins 2-3 (PCIe x4)
JPG1	VGA Enable/Disable	Pins 1-2 (Enabled)
JPL1	LAN1 Enable/Disable	Pins 1-2 (Enabled)
JPL2	LAN2 Enable/Disable	Pins 1-2 (Enabled)
JPME2	Manufacturing Mode	Pins 1-2 (Normal)
JRF1	CPU PCIe Bifurcation	Pins 1-2 (JPCIE x16)
JWD1	Watch Dog Timer	Pins 1-2 (Reset)

Connectors	
Connector	Description
BMC_LAN	Dedicated BMC LAN Port
BT1	Onboard Battery
COM1	COM Port
FAN1-FAN3, FANA	CPU/System Fan Headers (FAN1: CPU Fan)
I-SATA4, I-SATA5	Intel® PCH SATA 3.0 Ports
JD1	Speaker
JF1	Front Control Panel Header
JL1	Chassis Intrusion Header
JPI²C1	Power I²C System Management Bus (Power SMB) Header
JPW1	24-pin ATX Power Connector (Required)
JPW2	4-pin Power Connector
JSMB1	System Management Bus Header
JTPM1	Trusted Platform Module (TPM)/Port 80 Connector
JUIDB1	UID Switch
LAN1/2	Gigabit Ethernet RJ45 Ports
M.2-C	M.2 PCIe 4.0 x4 Slot (supports 2280 form factor)
MH1-MH4	Mounting Holes
SLOT7	PCIe 5.0 x16 Slot
USB0/1	Back Panel USB 2.0 Ports
USB2/3	Back Panel USB 3.2 Gen 1 Ports
USB4/5	Front Panel USB 3.2 Gen 1 Header
VGA	VGA Port

LED Indicators

LED Indicators		
LED	Description	Status
LED1	Overheat/Power Fail/Fan Fail LED	Solid Red: System Overheat Blinking Red: Power Fail or Fan Fail
LED2	UID LED	Solid Blue: Unit Identified
LED3	Onboard Power LED	Solid Green: Power On
LEDM1	BMC Heartbeat LED	Blinking Green: Device Working

CPU Support

The X13SCL-IF motherboard supports an Intel Xeon E-2400 or 12th Generation Pentium processor with up to eight cores in a (V0 - LGA1700 socket).

Memory Support

The X13SCL-IF motherboard supports up to 64 GB of DDR5 ECC UDIMM in two slots. Speed support is up to 4800 MT/s. For optimal performance, use memory modules of the same type and speed.

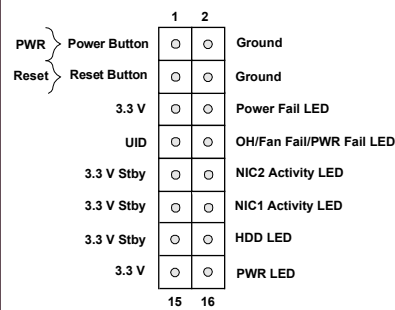
DIMM Memory Installation

When installing memory modules, the DIMM slots should be populated in the following order: DIMMA1, DIMMB1.

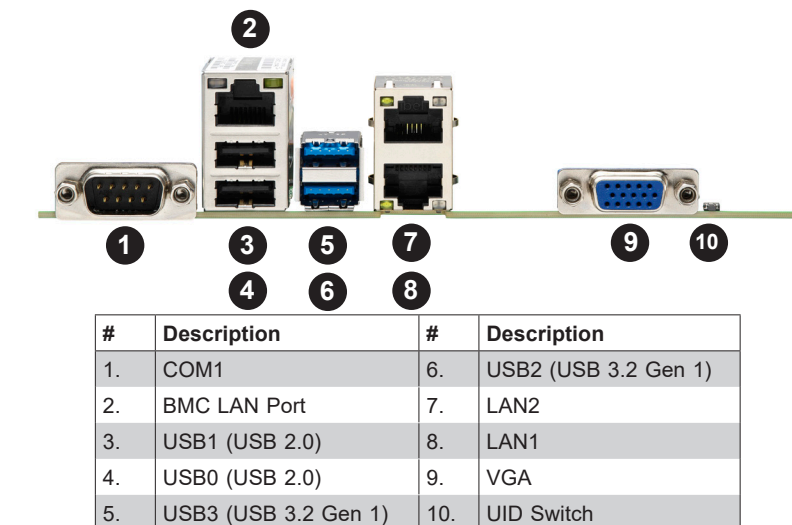
- It is recommended to use DIMM modules of the same type, size, and speed. Mixed DIMM speeds can be installed. However, all DIMMs will run at the speed of the slowest DIMM.
- The motherboard will support odd-numbered modules. However, for best memory performance, install DIMM modules in pairs to activate memory interleaving.

1 CPU, 4 DIMM Slots	
Number of DIMMs	Memory Population Sequence
1	DIMMB1 DIMMA1
2	DIMMB1 / DIMMA1

Front Control Panel



Back Panel I/O Connectors



Note: Graphics shown in this quick reference guide are for illustration only. Your components may or may not look exactly the same as drawings shown in this guide.

Note: Refer to Chapter 2 of the User Manual for detailed information on jumpers, connectors, and LED indicators.

Note: Refer to Chapter 2 of the User Manual for detailed information on memory support and CPU/motherboard installation instructions.