

**CONTACT INFORMATION**

- Website: [www.supermicro.com](http://www.supermicro.com)
- General Information: [marketing@supermicro.com](mailto:marketing@supermicro.com)
- Technical Support: [support@supermicro.com](mailto:support@supermicro.com)
- Phone: +1 (408) 503-8000, Fax: +1 (408) 503-8008

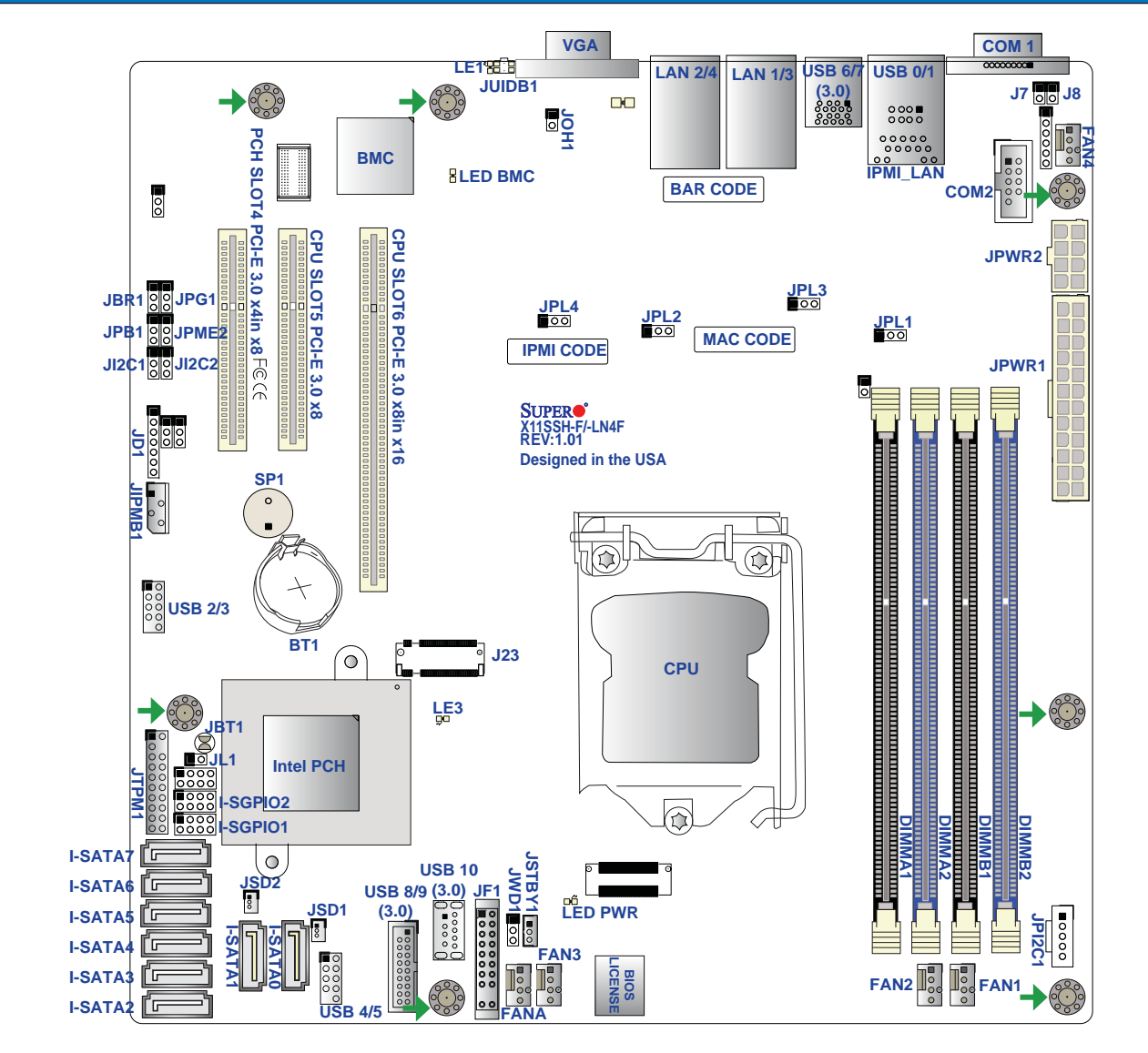
**FOR YOUR SYSTEM TO WORK PROPERLY, PLEASE DOWNLOAD APPROPRIATE**

- DRIVERS/IMAGES/USER'S MANUAL FROM THE LINKS BELOW:**
- Manuals: <http://www.supermicro.com/support/manuals>
  - Drivers & Utilities: [ftp://ftp.supermicro.com/CDR\\_Images/CDR-X11-UP/](ftp://ftp.supermicro.com/CDR_Images/CDR-X11-UP/)
  - Safety: [http://www.supermicro.com/about/policies/safety\\_information.cfm](http://www.supermicro.com/about/policies/safety_information.cfm)

**PACKAGE CONTENTS**

- One (1) Supermicro Motherboard
- Six (6) SATA Cables
- One (1) I/O Shield
- One (1) Quick Reference Guide

**Motherboard Layout and Features**



**Jumpers and Connectors**

Jumpers		
Jumper	Description	Default Setting
J7	LAN4 LINK ACK (-LN4F only)	Off (Disabled)
J8	LAN3 LINK ACK (-LN4F only)	Off (Disabled)
JBR1	BIOS Recovery	Pins 1-2 (Normal)
JBT1	Clear CMOS	See Chpt. 2 in user manual
JPC1/JPC2	SMB to PCI Slots	Pins 2-3 (Disabled)
JPB1	BMC Enable/Disable	Pins 1-2 (Enabled)
JPG1	VGA Enable	Pins 1-2 (Enabled)
JPL1-JPL4	LAN1-LAN4 Enable (LAN3/LAN4: for -LN4F only)	Pins 1-2 (Enabled)
JPME2	Manufacturing Mode Select	Pins 1-2 (Normal)
JWD1	Watch Dog Enable	Pins 1-2 (Reset)

Connectors	
Connector	Description
BT1	Onboard Battery
COM1/COM2	COM1/COM2 Port Headers
Fan1-Fan4, FanA	System/CPU Fan Headers
I-SATA0-I-SATA7	SATA 3.0 Connectors via Intel PCH (6Gb/s)
I-SGPIO 1/2	Serial_Link General Purpose I/O Connection Headers 1/2
IPMI_LAN	IPMI_Dedicated Gigabit (RJ45) Port
J23	M.2 Socket
JD1	Speaker/Power LED Indicator
JF1	Front Panel Control Header
JIPMB1	4-pin External BMC I <sup>2</sup> C Header (for an IPMI Card)
JL1	Chassis Intrusion Header
JOH1	Overheat LED Indicator
JPC1	Power I <sup>2</sup> C System Management Bus (Power SMB) Header
JPWR1	24-pin ATX Main Power Connector (Required)
JPWR2	+12V 8-pin CPU power Connector (Required)
JSD1/JSD2	SATA Disk On Module (DOM) Power Connectors
JSTBY1	Wake-On-LAN Enable Header
JTPM1	Trusted Platform Module/Port 80 Connector
JUIDB1	UID (Unit Identification) Switch
LAN1-LAN4	Gigabit (RJ45) LAN Ports (LAN3/LAN4: for -LN4F only)
PCI-E (PCH) Slot 4	PCI-Express 3.0 x4in x8 Slot
PCI-E (CPU) Slot 5	PCI-Express 3.0 x8 Slot
PCI-E (CPU) Slot 6	PCI-Express 3.0 x8in x16 Slot
SP1	Internal Speaker/Buzzer
USB 0/1	Back Panel USB 2.0 Ports
USB 2/3	Front Accessible USB 2.0 Headers
USB 4/5	Front Accessible USB 2.0 Headers
USB 6/7	Back Panel USB 3.0 Ports
USB 8/9	Front Accessible USB 3.0 Header
USB 10	USB 3.0 Type-A Header
VGA	Back Panel VGA Port

**LED Indicators**

LED Indicators			
LED	Description	State	Status
LE1	Rear UID LED	Blue: On	Unit Identified
LE3	PCI-E 3.0 M.2 LED	Green: Blinking	Active
LEDBMC	BMC Heartbeat LED	Green: Blinking	BMC Normal
LEDPWR	Onboard Power LED	Green: Solid on	Power On

**Memory Support**

The X11SSH-F\_(-LN4F) has four (4) 288-pin DIMM slots that support up to 64GB of SDRAM 72-bit DDR4 unbuffered ECC 2133/1866/1600/1333MHz memory.

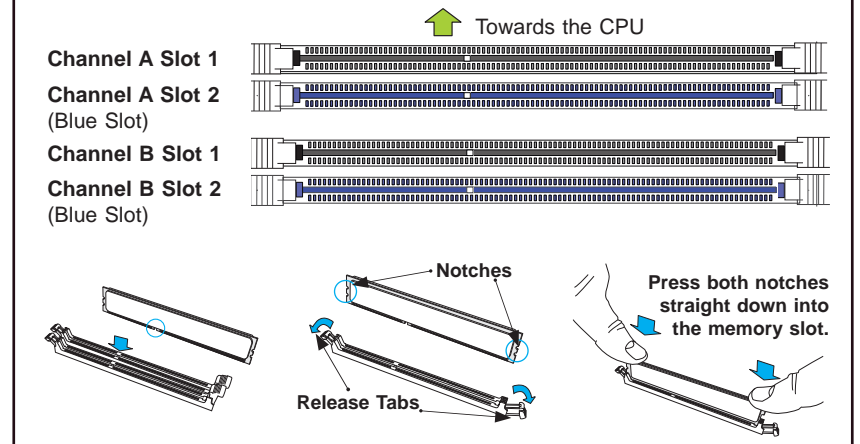
**DIMM Memory Installation**

**Memory Population Guidelines**

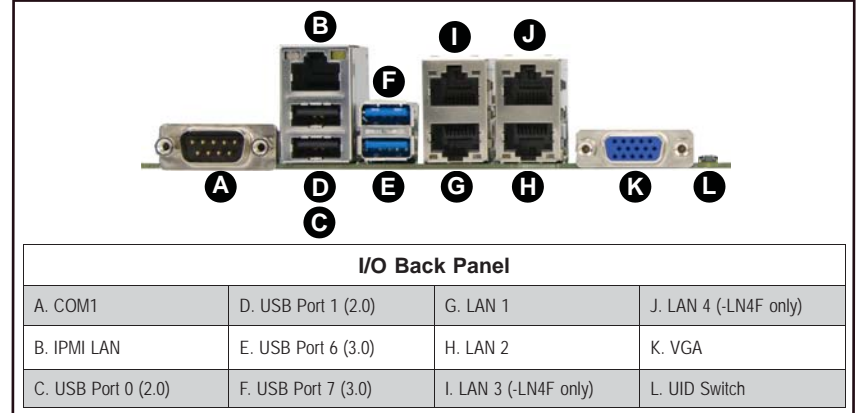
Please follow the table below when populating the X11SSH-F\_(-LN4F):

Memory Module Population						
DIMM Slots per Channel	DIMM Type	POR Speeds (MHz)	Ranks per DIMM	Layer Count	FW Base	Supported Voltage
2	Unbuffered DDR4 ECC	2133, 1866, 1600, 1333	SR, DR	6	SPS	1.2V <sup>1</sup>

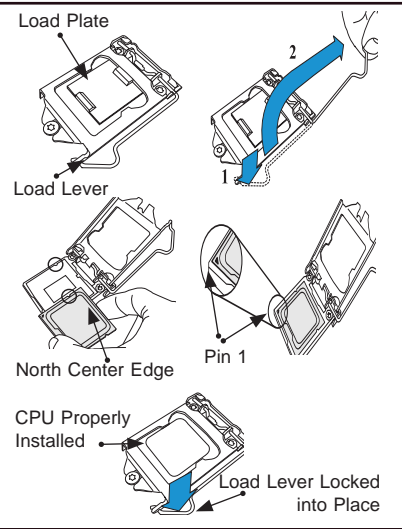
Insert the desired number of DIMMs into the memory slots. The DIMM slots should be populated in the following order: DIMMB2, DIMMA2, DIMMB1, DIMMA1. For the system to work properly, please use memory modules of the same type and speed in the motherboard.



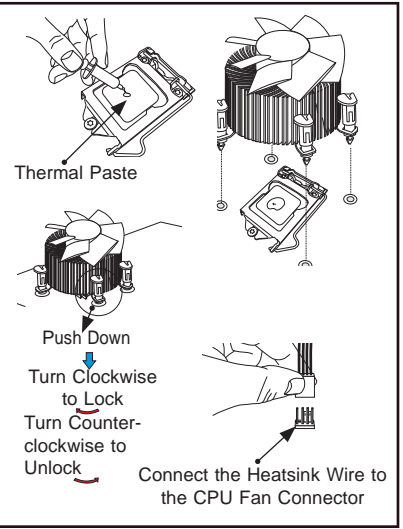
**Back Panel I/O Connectors**



**CPU Installation**



**Heatsink Installation**



**Front Panel Control (JF1)**



**Note:** Graphics shown in this quick reference guide are for illustration only. Your components may or may not look exactly the same as drawings shown in this guide.

**Note:** Refer to Chapter 1 of the User Manual for detailed information on jumpers, connectors, and LED indicators.

**Note:** Refer to Chapter 2 of the User Manual for detailed information on memory support and CPU/motherboard installation instructions.